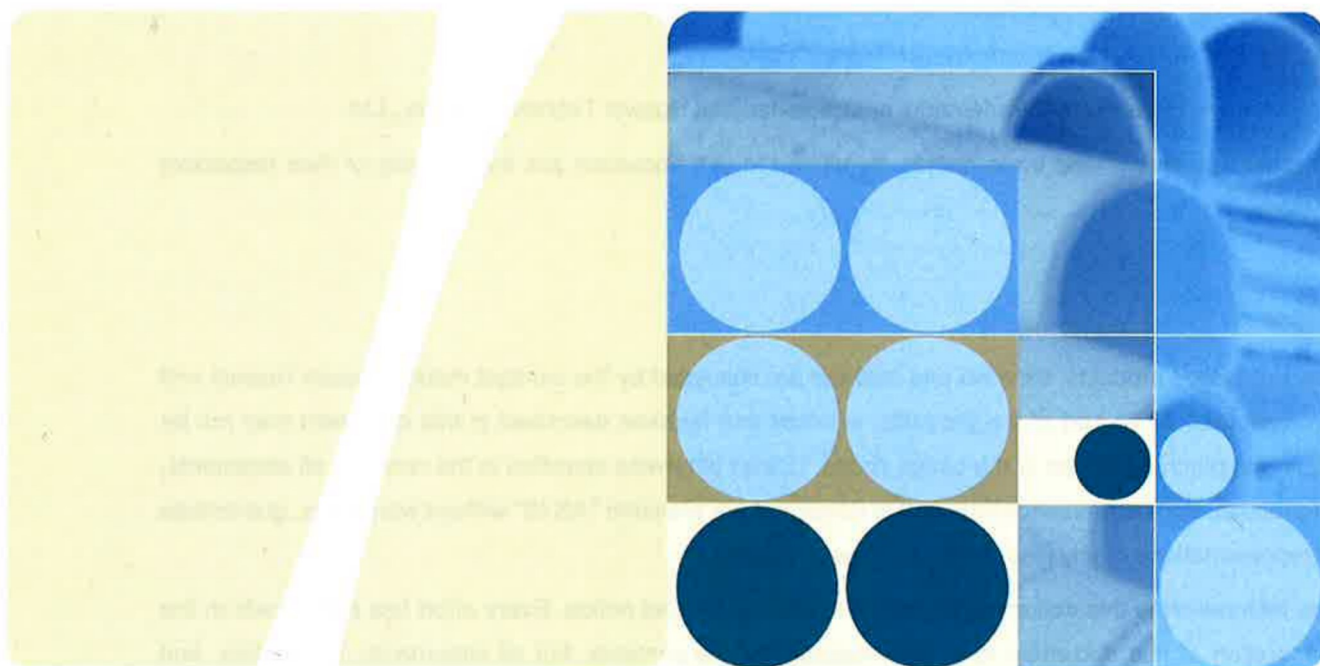


Doc. Code



Huawei FusionSolar Residential and Commercial Inverter Export Control Declaration For ENA EREC G100 Requirement

Issue 01
Date 2019-11-07

Copyright © Huawei Technologies Co., Ltd. 2013. All rights reserved.

No part of this document may be reproduced or transmitted in any form or by any means without prior written consent of Huawei Technologies Co., Ltd.

Trademarks and Permissions



and other Huawei trademarks are trademarks of Huawei Technologies Co., Ltd.

All other trademarks and trade names mentioned in this document are the property of their respective holders.

Notice

The purchased products, services and features are stipulated by the contract made between Huawei and the customer. All or part of the products, services and features described in this document may not be within the purchase scope or the usage scope. Unless otherwise specified in the contract, all statements, information, and recommendations in this document are provided "AS IS" without warranties, guarantees or representations of any kind, either express or implied.

The information in this document is subject to change without notice. Every effort has been made in the preparation of this document to ensure accuracy of the contents, but all statements, information, and recommendations in this document do not constitute a warranty of any kind, express or implied.

Huawei Technologies Co., Ltd.

Address: Huawei Industrial Base
Bantian, Longgang
Shenzhen 518129
People's Republic of China

Website: <http://enterprise.huawei.com>

Manufacture's Declaration for ENA EREC G100 Requirement

1 . System Description

Huawei Export Control Solution measures the active power at the point of connection to the distribution system, and then uses the information to control the inverters' output power and balance the customer demand in order to control the export power to the distribution system for not exceeding agreed export capacity.

In Export Limit mode, either the inverter or Smartlogger will reduce the feed-in power automatically lower then preset value within 5 seconds.

Export Control Solution is designed fail-safe. If the power meter or power controller fails, or the power controller loses communication with the power meter, the active power exported will be limited to the agreed exported capacity or less.

2. System Configuration

Application Scenario	Power Controller	Smart Power Sensor	Inverter
Single Inverter System	Inverter	DTSU666-H 250A/50mA	SUN2000-3KTL-M0
Multiple Inverter Connected in Parallel at AC Side	Smartlogger1000A/ Smartlogger3000A		SUN2000-4KTL-M0
			SUN2000-5KTL-M0
			SUN2000-6KTL-M0
			SUN2000-8KTL-M0
			SUN2000-10KTL-M0
			SUN2000-12KTL-M0
			SUN2000-15KTL-M0
			SUN2000-17KTL-M0
			SUN2000-20KTL-M0

3. Control Scheme

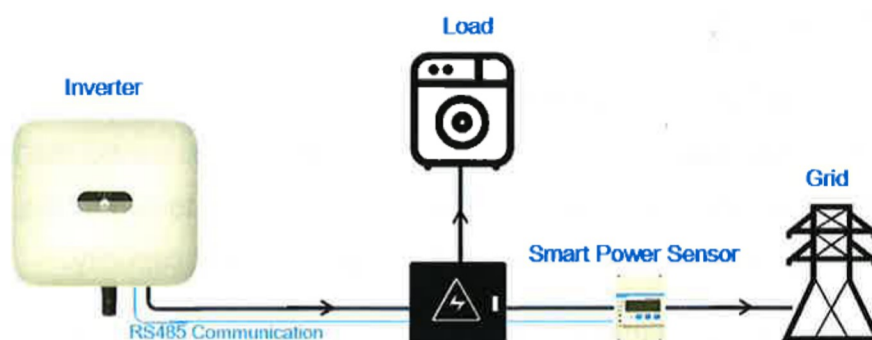


Figure 1 Single Inverter

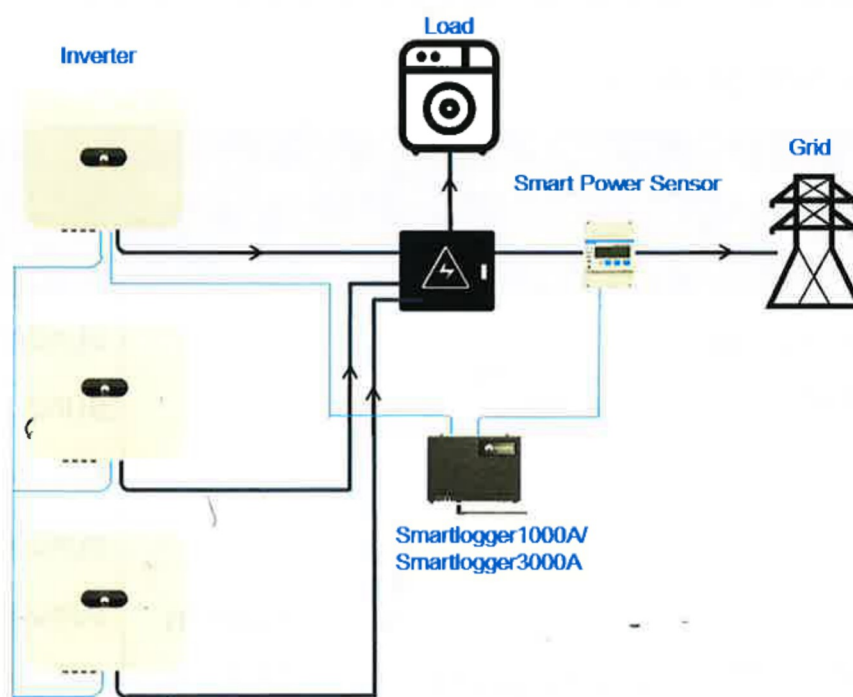
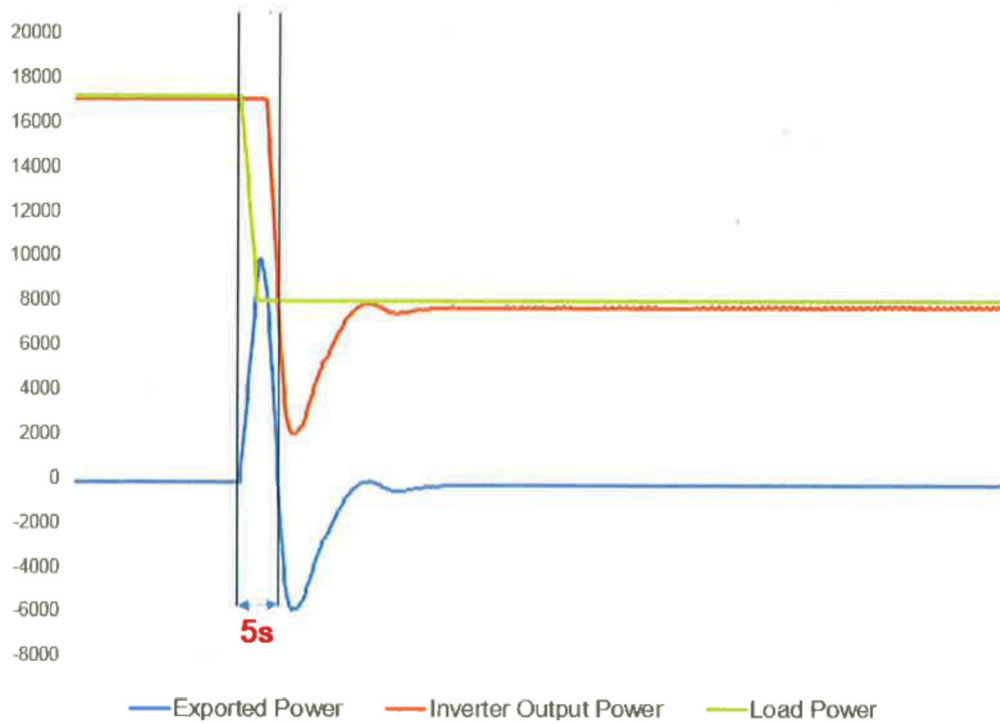


Figure 2 Multiple Inverter Connected in Parallel at AC Side

4. Control Result

Product Description



Huawei Technology Co.,Ltd

Signed Ye Liang

Date 08.11.2019

Ye Liang

Director of Inverter Solution Sales, Europe